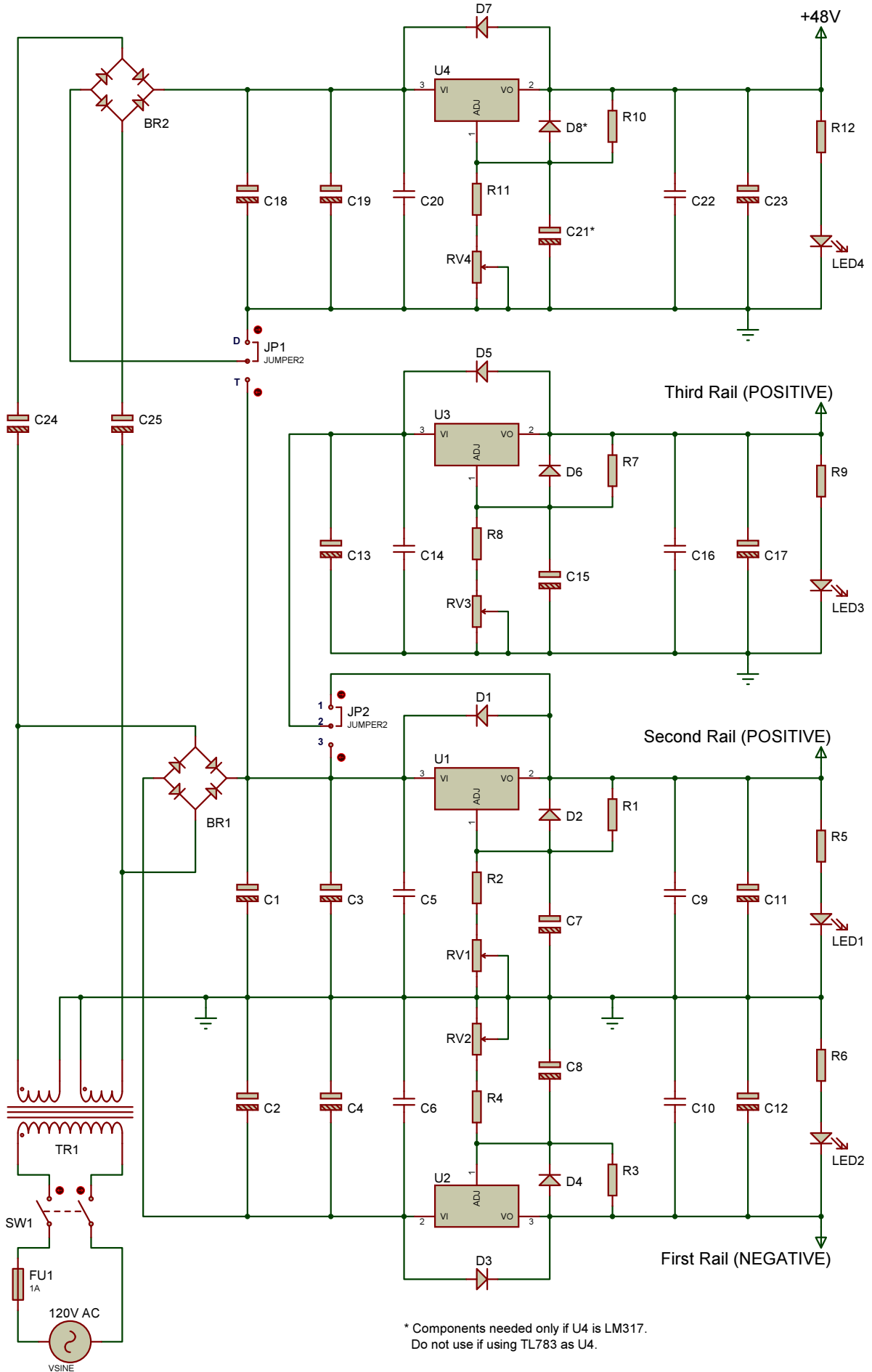


ML12 Power Supply Unit - Schematic



* Components needed only if U4 is LM317.
Do not use if using TL783 as U4.